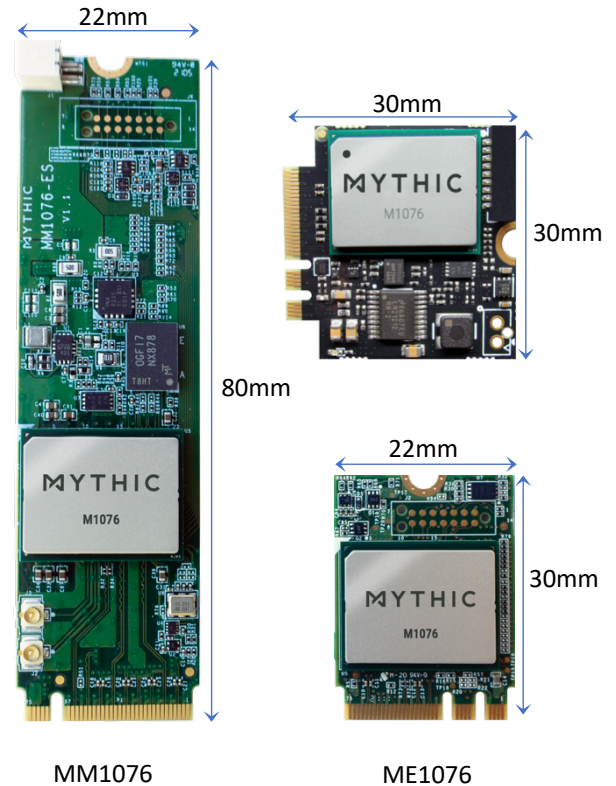


Overview

The Mythic Analog Matrix Processor (Mythic AMP™) M.2 Accelerator cards enable high performance, yet power-efficient AI inference for edge devices and edge servers. The M.2 compact form-factor and its ubiquity simplify the integration efforts into many different systems. The M.2 cards are designed with the M1076 Mythic AMP™ which is arranged in an array of AMP tiles, each featuring a Mythic Analog Compute Engine (Mythic ACE™). The M.2 AMP card is ideal for processing deep neural network (DNN) models in a variety of applications, including video surveillance, industrial machine vision, drone, AR/VR, and edge servers.

Features

- M1076 Mythic AMP™
- Support for up to 80 million weights on-chip
- Performance of up to 25 TOPs
- Model parameters stored and matrix operations executed on-chip by AMP tiles
- No external DRAM required
- 2/4-lane PCIe 2.1 for up to 2GB/s bandwidth
- SMBus for EEPROM and PMIC access
- Support for standard frameworks, including PyTorch, TensorFlow 2.0, and Caffe
- Pre-qualified networks including object detectors, classifiers, pose estimators, with more being added
- OS Support: Ubuntu, NVIDIA L4T, and Windows (future release)



Target Applications

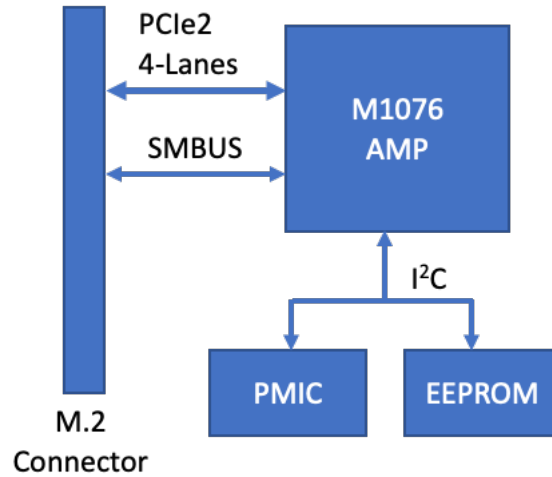
- Video Surveillance
- Industrial Machine Vision
- UAV/Drones
- AR/VR
- Edge Servers

Physical Specification

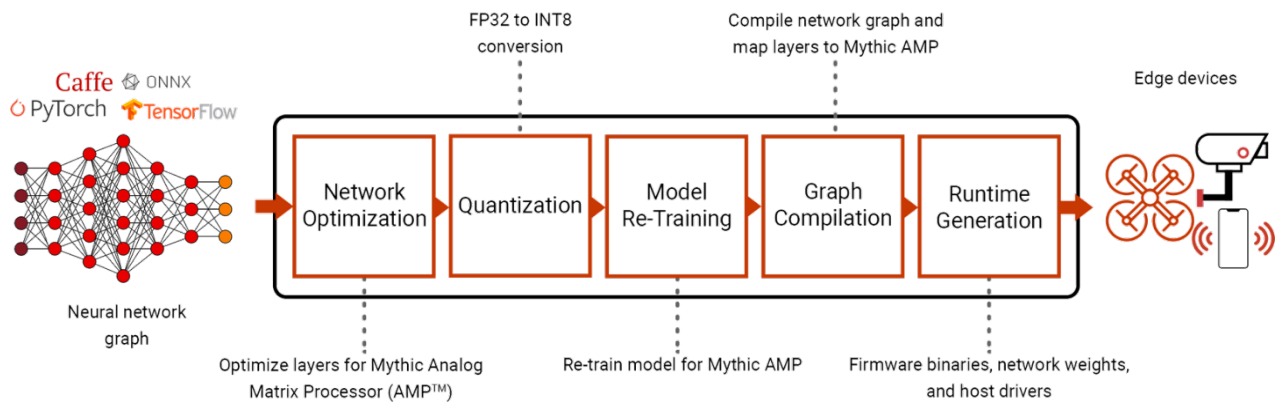
- Dimensions
 - 22mm x 80mm (M key)
 - 22mm x 30mm (A+E key)
 - 30mm x 30mm (A+E key)
- Operating Temperature: -40°C – 85°C
- Typical Power Consumption: 3.5 W



MM1076 / ME1076 M.2 Accelerator Card Product Brief



AI Software Workflow



Ordering Information

Part Number	Description
MM1076	M1076 M.2 Card (M key) 22mm x 80mm
ME1076-2	M1076 M.2 Card (A+E key) 22mm x 30mm
ME1076-3	M1076 M.2 Card (A+E key) 30mm x 30mm

ABOUT MYTHIC

Mythic has developed a unified hardware and software platform featuring its unique Mythic Analog Compute Engine (Mythic ACE™) to deliver revolutionary power, cost, and performance that shatters digital barriers preventing AI innovation at the edge. The Mythic Analog Matrix Processor (Mythic AMP™) makes it much easier and more affordable to deploy powerful AI solutions, from the data center to the edge device. The company has raised over \$165.2 million to-date and has offices in Redwood City, CA and Austin, TX.

www.mythic-ai.com